



FE9380-HV

Fisheye Network Camera

5MP • 360° Fisheye • WDR Pro • 360° 10M IR • Smart IR • Smart Stream III • IP66 • IK10

- H.265 compression Technology
- 30 fps @ 1920x1920
- SNV (Supreme Night Visibility) for Low Light Conditions
- Smart Stream III to Optimize Bandwidth Efficiency
- WDR Pro for Improved Visibility in Extremely Bright and Dark Environments
- Built-in IR Illuminators, Effective up to 10 Meters
- Weather-proof IP66-rated and Vandal-proof IK10-rated Housing
- Built-in MicroSD/SDHC/SDXC Card Slot for On-board Storage
- Trend Micro IoT Security
- Built-in Microphone
- Local Dewarping



Technical Specifications

System Information

Model	FE9380-HV
CPU	Multimedia SoC (System-on-Chip)
Flash	128 MB
RAM	512 MB

Camera Features

Image Sensor	1/2.7" Progressive CMOS
Max. Resolution	1920x1920
Lens Type	Fixed-focal
Focal Length	f = 1.16 mm
Aperture	F2.25
Auto-iris	Fixed iris
Field of View	180° (Horizontal) 180° (Vertical) 180° (Diagonal)
Shutter Time	1/5 sec. to 1/32,000 sec.
WDR Technology	WDR Pro
Day/Night	Yes
Removable IR-cut Filter	Yes
IR Illuminators	Built-in IR illuminators, effective up to 10 meters with Smart IR, IR LED*4
Minimum Illumination	0.05 lux @ F2.25 (Color) <0.005 lux @ 2.25 (B/W) 0 lux with IR illumination on
Pan/Tilt/Zoom Functionalities	ePTZ: 12x digital zoom (12x on IE plug-in)
Storage	Seamless Recording to MicroSD/SDHC/SDXC card and recording to network-attached storage (NAS)

Video

Video Compression	H.265, H.264, MJPEG
Maximum Frame Rate	24 fps @ 1920x1920 (WDR on) 30 fps @ 1920x1920 (WDR off)
Maximum Streams	4 video streams (Up to 9 configurable profiles)
S/N Ratio	63 dB
Dynamic Range	120 dB
Video Streaming	Adjustable resolution, quality and bit rate control, Smart Stream III
Image Settings	General settings: video title and time stamp overlay, video orientation (flip, mirror), day/night settings; Illuminators: illuminators, anti-overexposure; Image settings: white balance, image adjustment (brightness, contrast, saturation, sharpness, gamma curve), defog, 3DNR, HLM, DIS, scene mode (auto, deblur); Exposure: BLC, HLC, exposure control (exposure level, iris adjustment, exposure time, gain control, iris mode), WDR; Privacy mask; Scheduled profile settings
Display Mode	Client dewarping Ceiling mounted: 1O Fisheye, 1P Panoramic, 2P Two Panoramics, 1R One Region, 4R Four Regions, 1O3R One Fisheye Three Regions, 1O8R One Fisheye Eight Regions Wall mounted: 1O Fisheye, 1P Panoramic, 1R One Region, 4R Four Regions, 1P2R One Panoramic Two Regions, 1P3R One Panoramic Three Regions, 1O3R, One Fisheye Three Regions Local dewarping Ceiling mounted: 1O Fisheye, 1P Panoramic, 2P Two Panoramics, 1R One Region, 4R Four Regions Wall mounted: 1O Fisheye, 1P Panoramic, 1R One Region, 4R Four Regions

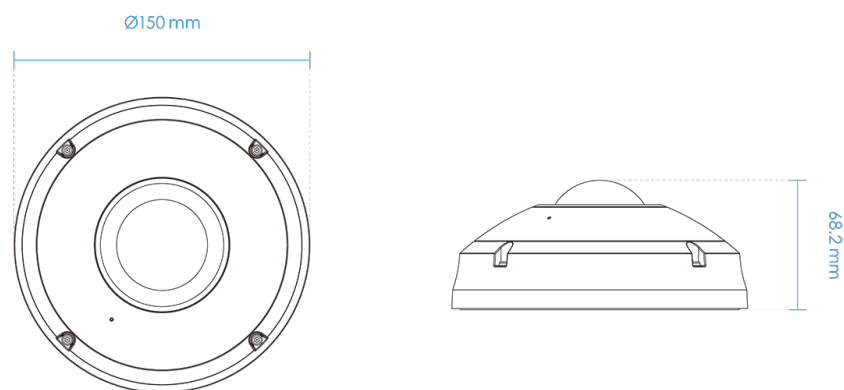
Audio

Audio Capability	One-way Audio
Audio Compression	G.711, G.726
Audio Interface	Built-in microphone
Effective Range	5 meters

Network

Users	Live viewing for up to 10 clients
Security	Access list, digest authentication, HTTPS, IEEE 802.1x, password protection, signed firmware, Trend Micro IoT Security (brute force attack event, cyberattack event, quarantine event), user access log, user account management
Protocols	802.1X, ARP, Bonjour, CIFS/SMB, DDNS, DHCP, DNS, FTP, HTTP, HTTPS, ICMP, IGMPv3, IPv4, IPv6, NTP, PPPoE, QoS (CoS/DSCP), RTSP/RTP/RTCP, SMTP, SNMP, SSL, TCP/IP, TLS 1.2, UDP, UPnP
Interface	10 Base-T/100 Base-TX Ethernet (RJ-45) *It is highly recommended to use standard CAT5e & CAT6 cables which are compliant with the 3P/ETL standard.
ONVIF	Profile G, S, T supported, specification available at www.onvif.org
Solution Integration	
Video Motion Detection	Five-window video motion detection
VADP Package	Stratocast, Trend Micro IoT Security (1-year free trial)
Alarm and Event	
Event Trigger	Audio detection, camera tampering detection, cybersecurity events (brute force attack event, cyberattack event, quarantine event), manual trigger, motion detection, periodical trigger, recording notification, SD card life expectancy, shock detection, system boot
Event Action	Event notification via email, HTTP, FTP, NAS server, SD card File upload via email, HTTP, FTP, NAS server, SD card
General	
Connectors	RJ-45 cable connector for 10/100Mbps Network/PoE connection
LED Indicator	System power and status indicator
Power Input	IEEE 802.3af PoE Class 0
Power Consumption	Max. 12 W/3.8 W (IR on/off)
Dimensions	Ø 150 x 68.2 mm
Weight	695 g
Certifications	EMC: CE (EN 55032 Class A), FCC (FCC Part 15 Subpart B Class A), VCCI (VCCI-CISPR 32 Class A); Safety: UL (UL 62368-1), CB (CB (IEC/EN 62368-1, IEC/EN 60950-22, IEC/EN 62471); Environment: IK10 (IEC 62262), IP66 (IEC 60529); IA: BIS (IS 13252)
Operating Temperature	Starting Temperature: -10°C ~ 60°C (14°F ~ 140°F) Working Temperature: -30°C ~ 60°C (-22°F ~ 140°F)
Humidity	90%
Warranty	36 months
System Requirements	
Operating System	Microsoft Windows 10/8/7 Mac 10.12 (Chrome only)
Web Browser	Chrome 58.0 or above Internet Explorer 10/11
Other Players	VLC: 1.1.11 or above
Included Accessories	
Others	Quick installation guide, alignment sticker, screw pack, desiccant bag

Dimensions



Compatible Accessories

Mounting Kits



AM-525
Mounting Adapter